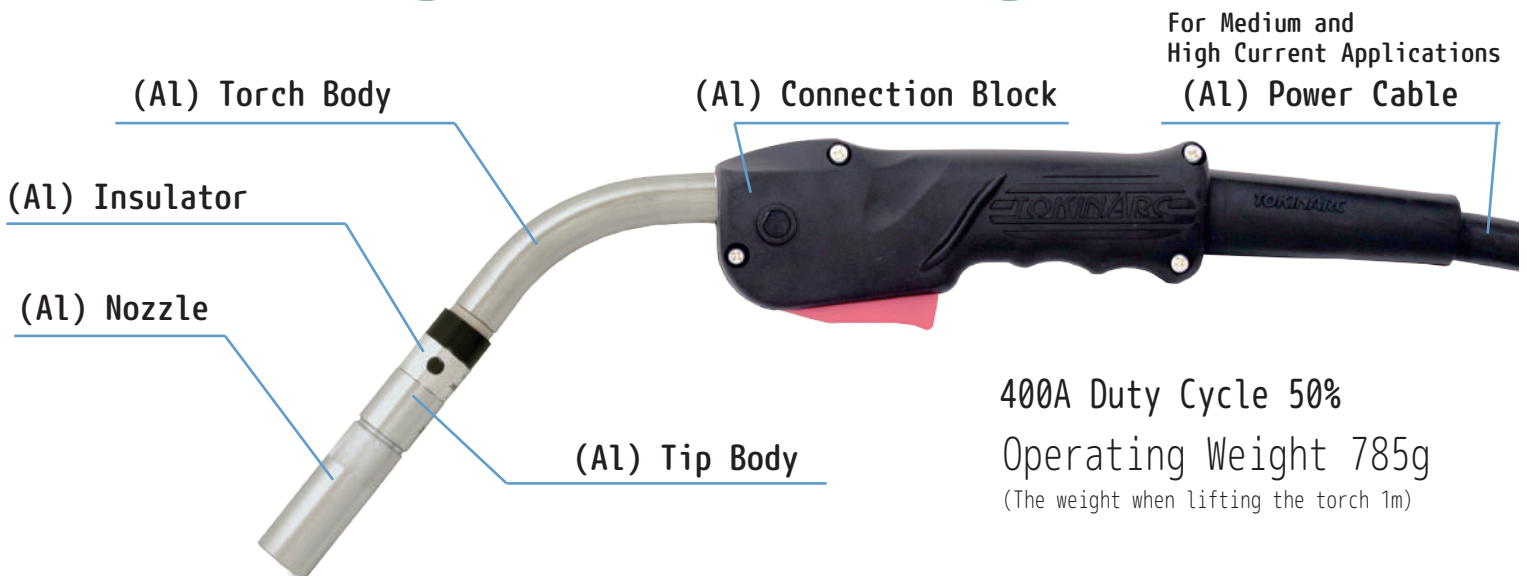


400A All Aluminum Semi-Automatic Torch

CSHA-40



Fatigue Reduction Torches

- Full-scale weight reduction greatly reduces shoulder, arm and muscle fatigue for the operator.
- End consumables are interchangeable with existing models, allowing for a 30% ~ 40% total weight reduction.

Direct Connection to Wire Feeder

P Type (Panasonic Connection)
CSHA-40-P-3m/4.5m/6m
(Cable Length)

D Type (Daihen Connection)
CSHA-40-D-3m/4.5m/6m
(Cable Length)

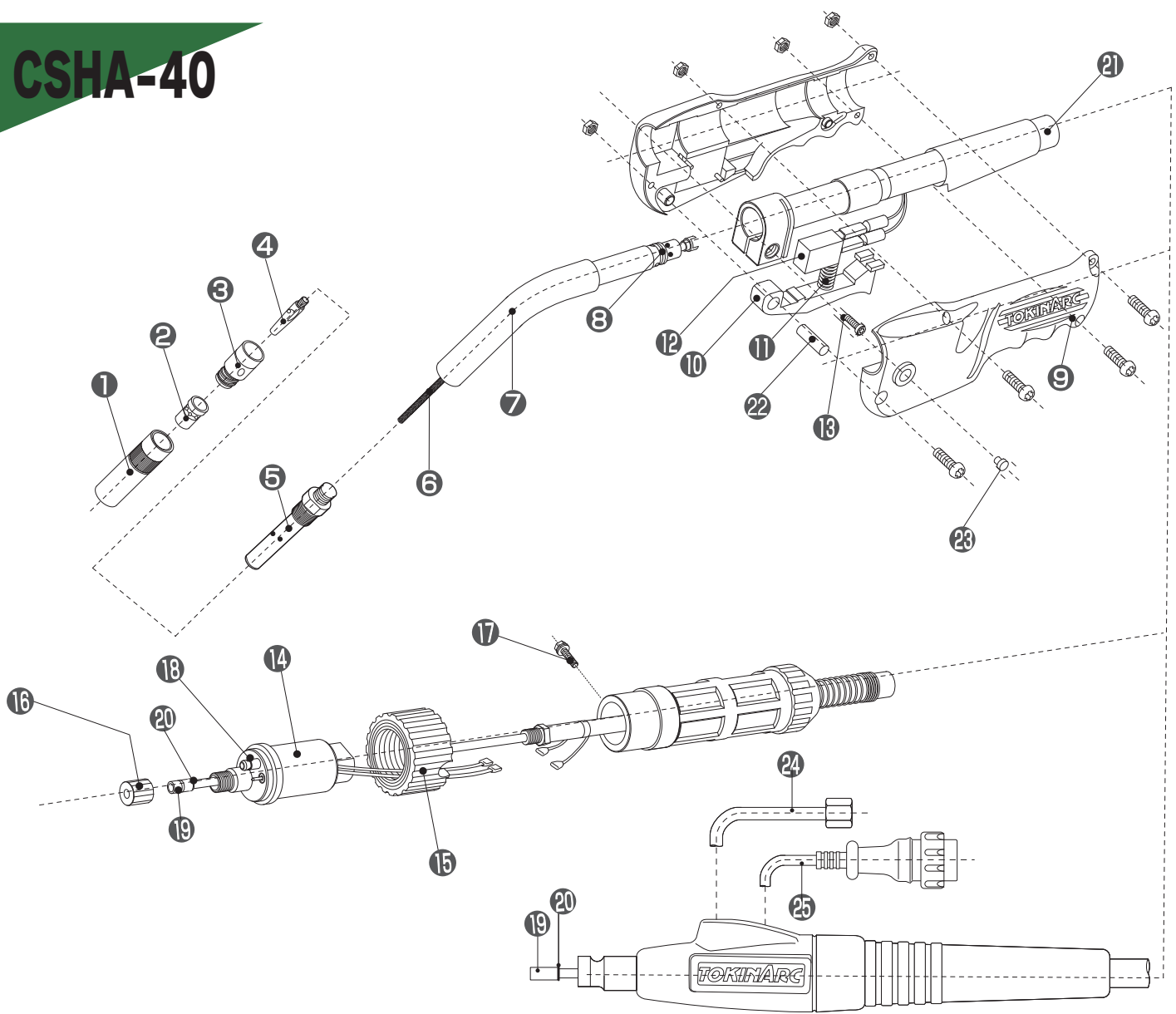


Order Notations

Model		CSHA-40
Rated Current	A	400
Duty Cycle	%(CO ₂)	50
	%(MAG)	35
Applicable Wire Diameter	mm	1.2、 1.4
Cable Length	m	3 /4.5/6
Cooling Method		Air Cooled
Total Weight (when cable is 3m)	kg	2.16

Part Number	Model
06107A-3000	CSHA-40-P-3
06107A-4500	CSHA-40-P-4.5
06107A-6000	CSHA-40-P-6
06108A-3000	CSHA-40-D-3
06108A-4500	CSHA-40-D-4.5
06108A-6000	CSHA-40-D-6

CSHA-40



Part Number	Part Name
① 016 17A	CSHA N (Al) Nozzle 16mm *
001 002	N Nozzle 16mm
001 003	N Nozzle 12mm
001 008	N Nozzle 18mm
001 009	N Thick Nozzle 16mm
001 004	N Small-Diameter Long Nozzle
② 003 002	N Orifice S
③ 016 48A	N (Al) Insulator S *
004 002	N Insulator S
④ 002 003	N Tip 1.2mm
002 017	N Tip 1.4mm
002 009	N Small-Diameter Long Nozzle 1.2mm
⑤ 016 10A	CSHA (Al) Tip Body A *
036 001	CS Tip Body A
⑥ 036 011	CSH-35 Inner Tube

Part Number	Part Name
⑦ 016 15A	CSHA (Al) Torch Body *
036 022	CSH-35 Torch Body Only
⑦ 038 004	CSH-35K Torch Body Only
038 024	CSH-35F Torch Body Only
036 051	CSH-35G Torch Body Only
⑧ 036 030	O Ring S-9 (CSH Torch Body)
⑨ 072 005	CSH Handle
⑩ 070 002	CSH Switch Lever
⑪ 032 016	CSH Spring
⑫ 032 013	CSH Micro Switch with Rubber Cover
⑬ 036 033	CSH Clamping Bolt
⑭ 020 001	Electric Supply Adapter
⑮ 020 002	Adapter Nut
⑯ 020 003	Liner Nut

Part Number	Part Name	
⑰ 020 004	Set Screw	
⑱ 020 005	Adapter "O" Ring	
⑲	037 044	CSH-50 Liner 3m 1.0-1.2mm
	037 047	CSH-50 Liner 4.5m 1.2mm
	037 041	CSH-50 Liner 6.0m 1.2mm
⑳ 036 035	Liner O Ring (S-4)	
㉑	05995A-3000	CSHA-40 (Al) Power Cable 3.0m *
	05995A-4500	CSHA-40 (Al) Power Cable 4.5m *
	05995A-6000	CSHA-40 (Al) Power Cable 6.0m *
㉒ 072 008	TL Switch Lever Pin	
㉓ 072 019	TL Insulation Rubber	
㉔ 032 058	CS Gas Hose N,D	
㉕ 032 052	CS Switch Plug N,D	

Standard composition parts
(when the cable length is 3m).

The end consumables are interchangeable with CSH-35.

* CSHA-40
(nozzle, torch body, power cable)
are exclusive made of (Al) parts.



TOKIN CORPORATION
www.tokinarc.co.jp

1509 Okubo-cho, Nishi-ku, Hamamatsu-shi,
Shizuoka Japan 432-8006

TEL : +81-53-485-5252 FAX : +81-53-485-5680
E-mail : trading@tokinarc.co.jp