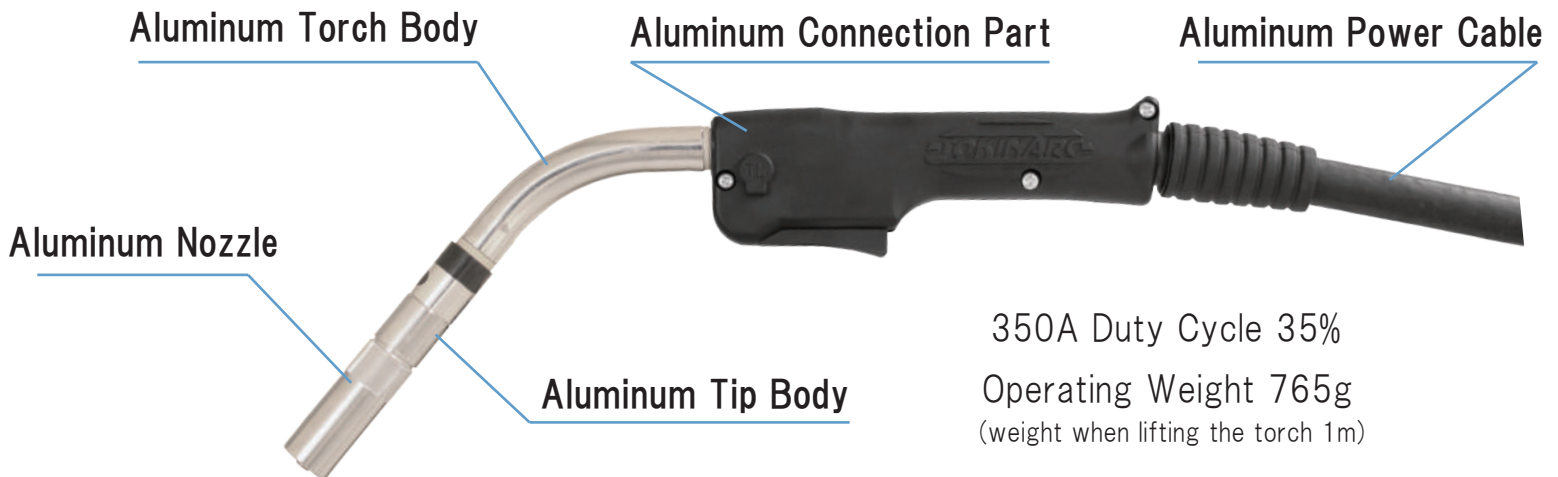


Ultralightweight All Aluminum Semi-Automatic Torch

TLA-35



Fatigue Reduction Torches

- Full-scale weight reduction greatly reduces burden to the operator.
- Precision handling realized through optimized torch front and rear holding balance.

Direct Connection to Wire Feeder

P Type (Panasonic Connection)
TLA-35-P-3m/4.5m/6m
(Cable Length)



D Type (Daihen Connection)
TLA-35-D-3m/4.5m/6m
(Cable Length)

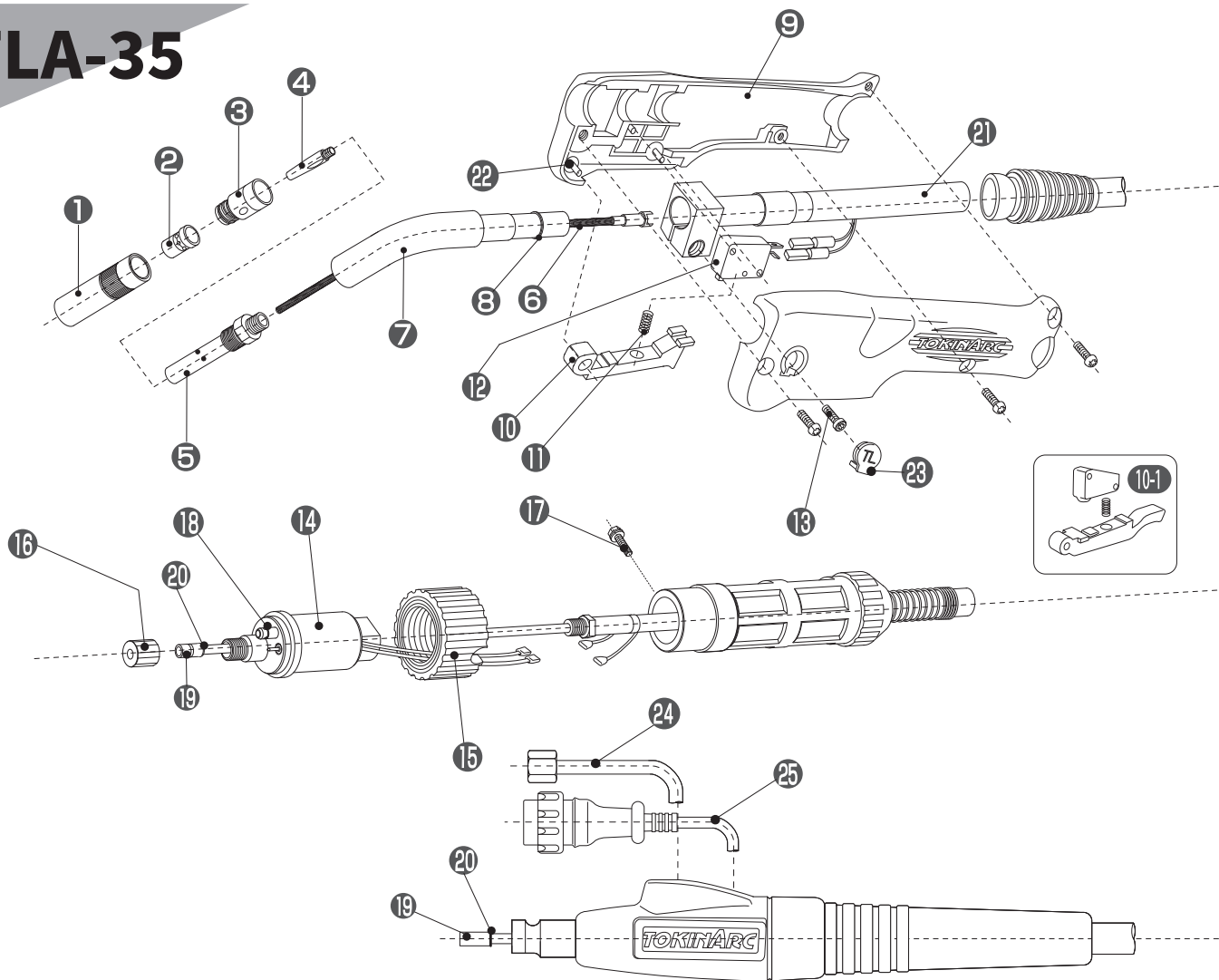


Order Notations

Model		TLA-35
Rated Current	A	350
Duty Cycle	%(CO ₂)	35
	%(MAG)	20
Applicable Wire Diameter	mm	(0.8,0.9,1.0)1.2
Cable Length	m	3 / 4.5 / 6
Cooling Method		Air Cooled
Total Weight	kg	1.80

Part Number	Model
05729A-3000	TLA-35-P-3
05729A-4500	TLA-35-P-4.5
05729A-6000	TLA-35-P-6
05730A-3000	TLA-35-D-3
05730A-4500	TLA-35-D-4.5
05730A-6000	TLA-35-D-6

TLA-35



Part Number Part Name

①	016 17A	TLA-35 Aluminum Nozzle 16mm *
	001 002	N Nozzle 16mm
	001 003	N Nozzle 12mm
	001 008	N Nozzle 18mm
	001 009	N Thick Nozzle
	001 004	N Small-Diameter Long Nozzle
②	003 002	N Orifice S
③	016 48A	N Aluminum Insulator S
	004 002	N Insulator S
④	002 002	N Tip 1.0mm
	002 003	N Tip 1.2mm
	002 008	N Small-Diameter Long Tip 1.0mm
	002 009	N Small-Diameter Long Tip 1.2mm
⑤	01610A	TLA Aluminum Tip Body A *
	036 001	CS Tip Body A
⑥	020 210	TL-35 Inner Tube

Part Number Part Name

⑦	016 15A	TLA-35 Aluminum Torch Body Only *
	020 306	TL-35 Torch Body Only
	038 070	TL-35K Torch Body Only
	020 205	TL-35F Torch Body Only
	020 202	TL-35G Torch Body Only
⑧	038 055	TL Torch Body Only "O"-ring (P-8)
⑨	077 091	TL Handle
⑩	072 003	TL Switch Lever
⑩-1	077 092	TL Long Switch
⑪	032 016	TL Spring
⑫	032 013	TL Micro Switch with Rubber Cover
⑬	020 123	TL Clamping Bolt
⑭	020 001	Electric Supply Adapter
⑮	020 002	Adapter Nut
⑯	020 003	Liner Nut

Part Number Part Name

⑰	020 004	Set Screw
⑱	020 005	Adapter "O" Ring
⑲	037 003	TLA Liner 3m 1.0-1.2mm
	037 046	TLA Liner 4.5m 1.2mm
	037 006	TLA Liner 6.0m 1.2mm
⑳	036 035	Liner O Ring (S-4)
㉑	05741A	TLA-35-D Aluminum Power Cable 3.0m *
	05739A	TLA-35-D Aluminum Power Cable 4.5m *
	05740A	TLA-35-D Aluminum Power Cable 6.0m *
㉒	072 021	TL Switch Lever
㉓	077 093	TL Insulation Cover
㉔	032 058	CS Gas Hose N,D
㉕	032 052	CS Switch Plug N,D

Standard composition parts
(when the cable length is 3m).

The end consumables are interchangeable with TL-35.

* TLA-35
(nozzle, tip body, torch body, power cable) are exclusive
made of aluminum parts.



TOKIN CORPORATION
www.tokinarc.co.jp

1509 Okubo-cho, Nishi-ku, Hamamatsu-shi,
Shizuoka Japan 432-8006

TEL : +81-53-485-5252 FAX : +81-53-485-5680
E-mail : trading@tokinarc.co.jp

2020.08